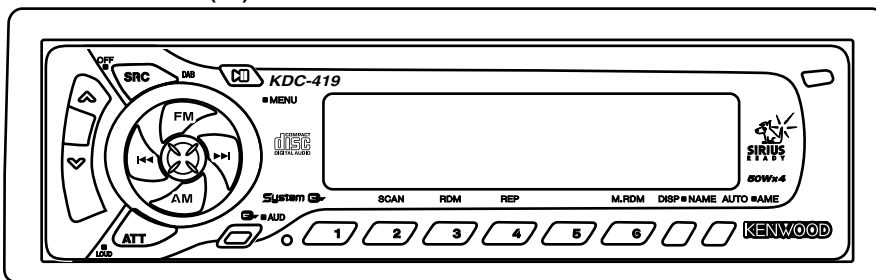
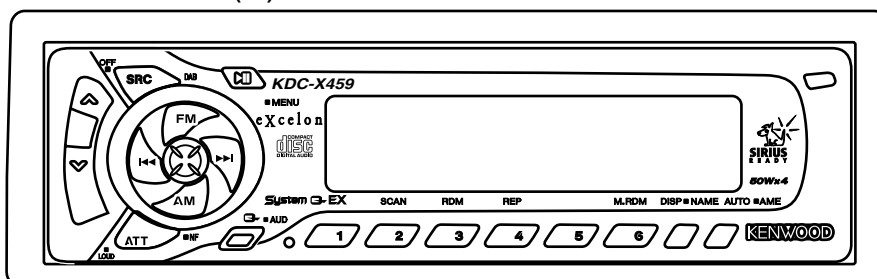


Refer to the service manual "X92-4430-0x" (B51-7889-00) for MECHANISM information.

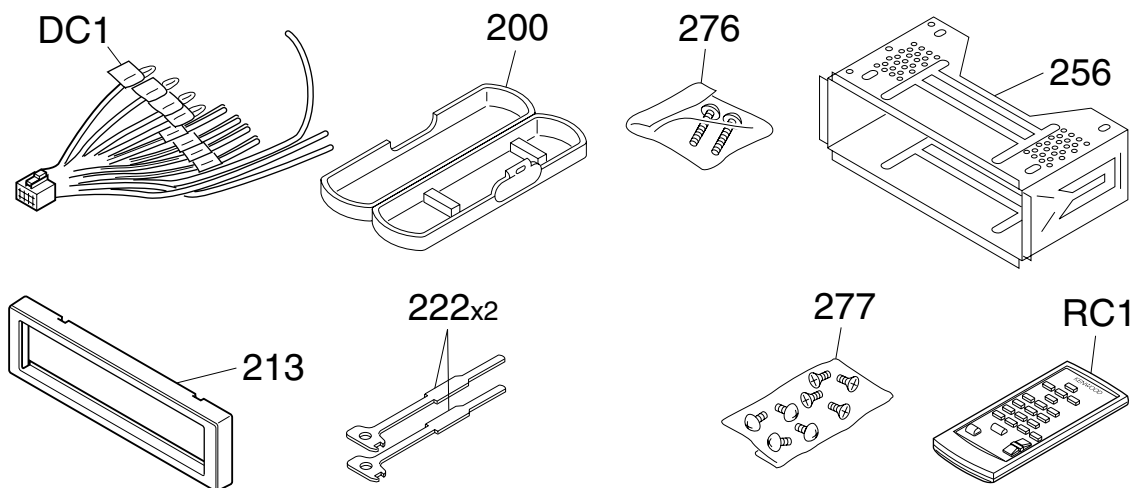
KDC-419 (K)

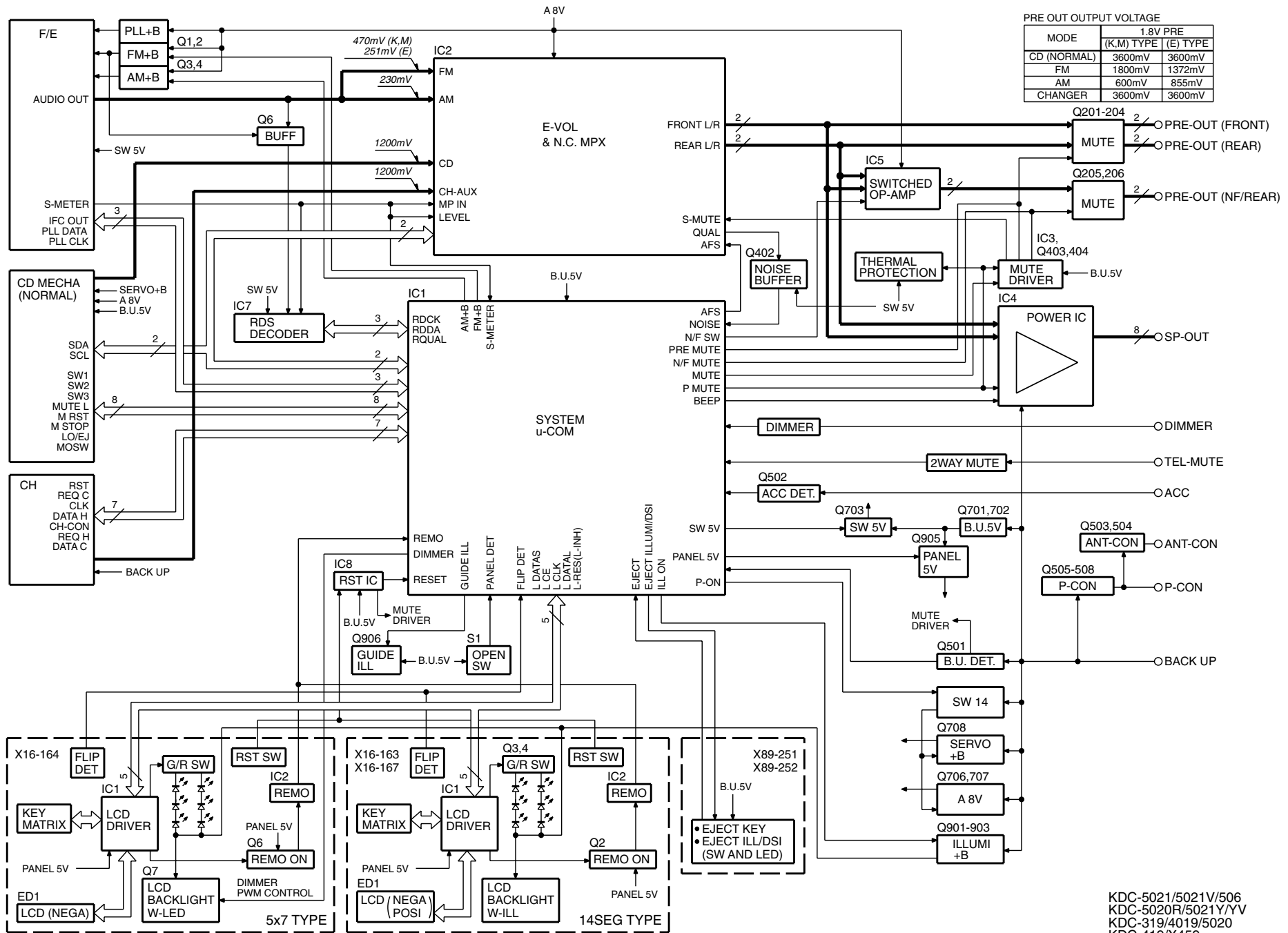


KDC-X459 (K)



The following reference numbers with accessory parts are the same reference numbers used on EXPLODED VIEW and PARTS LIST.





PRE OUT OUTPUT VOLTAGE

MODE	1.8V PRE	
	(K,M) TYPE	(E) TYPE
CD (NORMAL)	3600mV	3600mV
FM	1800mV	1372mV
AM	600mV	855mV
CHANGER	3600mV	3600mV

BLOCK DIAGRAM

KDC-419/X459

KDC-5021/5021V/506
 KDC-5020R/5021Y/YV
 KDC-319/4019/5020
 KDC-419/X459

COMPONENT DESCRIPTION

ELECTRIC UNIT (X25-921x-xx)

REF. No.	FUNCTION	OPERATION
IC1	SYSTEM u-COM	System u-com.
IC2	E-VOL/NC/MPX	E-volume, Noise Chancellor, Multiplexer.
IC3	MUTE	4 inputs, 3 NOR gates.
IC4	POWER IC	Power IC.
IC5	SWITCHING OP AMP	Switches operation amplifier.
IC7	RDS DEMODULATOR	Demodulates RDS.
IC8	RESET IC	"L" when detection voltage goes below 3.0V.
IC9	EEPROM	EEPROM.
Q1	FM+B SW	Q1 turns on when Q2 base level goes "H".
Q2	FM+B SW	Turns on when FM signal exists.
Q3	AM+B SW	Q3 turns on when Q4 base level goes "H".
Q4	AM+B SW	Turns on when AM signal exists.
Q6	IFC BUFFER	Shapes wave form.
Q201	PRE MUTE SW (FRONT Lch)	Mutes when the base level goes "H".
Q202	PRE MUTE SW (FRONT Rch)	Mutes when the base level goes "H".
Q203	PRE MUTE SW (REAR Lch)	Mutes when the base level goes "H".
Q204	PRE MUTE SW (REAR Rch)	Mutes when the base level goes "H".
Q205	PRE MUTE SW (NON-FADER Lch)	Pre mute SW.
Q206	PRE MUTE SW (REAR Rch)	Pre mute SW.
Q401	E-VOL MUTE SW	Mutes E-vol when the base level goes "H".
Q402	NOISE BUFFER	Buffers noise.
Q403,404	AUDIO MUTE DRIVER	Turns on when the base level goes "L".
Q501	BU & MOMENTARY POWER DOWN DETECTOR	Turns on when the base level goes "H" during the back-up effects.
Q502	ACC DETECTOR	Turns on when the base level goes "H" during ACC effects.
Q503,504	P-ANT SW	Q503 turns on when Q504 base level goes "H".
Q505	P-CON SW	Q505 turns on when Q508 base level goes "H".
Q506	P-CON PROTECTOR	Protects Q505 by Q506 turning on when P-CON output effect stops.
Q507	P-CON PROTECTOR	Prevents Q507 turning on during being stand-by after turning power on.
Q508	P-CON SW	Q505 turns on when Q508 base level goes "H".
Q510	SMALL LAMP DETECTOR	Turns on when the base level goes "H" during illumination lights.
Q701,702	BU 5V AVR	Turns on when the back-up effects.
Q703	SW 5V	Turns on when the base level goes "L".
Q704,705	AUDIO 8V & SERVO +B AVR ON/OFF SW	Q704 turns on when Q705 base level goes "H".
Q706,707	AUDIO 8V AVR	Output voltage is 8.3V.
Q708	SERVO +B AVR	Output voltage is 7.4V.
Q901-903	ILLUMINATION AVR	AVR output turns on when Q901 base level goes "H".
Q905	PANEL 5V SW	Turns on when the base level goes "L".
Q906	GUIDE ILLUMI SW	Turns on when the base level goes "L".
Q907	EJECT KEY & DSI ILLUMI SW	Turns on when the base level goes "L".

KDC-419/X459

COMPONENT DESCRIPTION

SWITCH UNIT (X16-164x-xx)

REF. No.	FUNCTION	OPERATION
IC1	LCD DRIVER	Drives LCD.
IC2	REMOTE CONTROLLER	Controls the unit.
Q1	KEY SCAN START	Turns on when the base level goes "L".
Q3	KEY RED ILLUMI SW	Turns on when the base level goes "H".
Q4	KEY GREEN ILLUMI SW	Turns on when the base level goes "H".
Q5	VLCD AVR	Turns on when the base level goes 9.1V.
Q6	IC2 POWER SUPPLY SW	Turns on when the base level goes "L".
Q7	DIMMER CONTROL	Controls the back light.

MICROCOMPUTER'S TERMINAL DESCRIPTION

(X25-) IC1 : u-COM

PORT No.	PORT NAME	I/O	FUNCTION	OPERATING CONDITION
1	TYPE 0	I	Destination switch.	-
2	TYPE 1	I	Destination switch.	-
3	FLIP DET	I	Panel open/close detection.	"H" : Panel opened. "L" : Panel closed.
4	AVSS	-	GND.	-
5	PANEL DET	I	Panel presence detection.	"H" : Panel does not exists. "L" : Panel exists.
6	E2P DET	I	EEPROM presence detection.	"H" : ROM exists. "L" : ROM does not exist.
7	AVREF 1	I	Reference voltage.	To BU 5V.
8	CH DATA C	I	Data from the changer.	-
9	CH DATA H	O	Data to the changer.	-
10	CH CLK	I/O	Clock signal from or to the changer.	-
11	L DATA L	I	Data from LCD driver.	Max 600KHz communication speed.
12	L DATA S	O	Data to LCD driver.	Max 1.2MHz communication speed.
13	L CLK	O	Clock signal to LCD driver.	-
14	L CE	O	LCD driver enable.	"H" : Driver selected. "L" : Driver non-selected.
15	BEEP	O	Buzzer.	-
16	PLL DATA	I/O	Data from or to the front-end.	-
17	L RST	O	LCD driver reset.	"L" : Reset.
18	PLL CLK	O	Clock signal to the front-end.	-
19	GUIDE ILLUMI	O	Guide illumination control.	"L": Illumination turns on. "H" : Illumination turns off.
20	EJECT ILLUMI/DSI	O	EJECT/DSI illumination control.	"L" : Illumination turns on. "H" : Illumination turns off.
21	PANEL	I/O	Panel power supply control.	"L" : Panel exists, ACC turns off.
22	LO/EJ	I/O	CD-mecha>Loading/Eject switch.	"L" : Loading. "H" : Eject.
23	MOSW	O	CD-mecha/Motor switch.	"H" : Loading, eject, breaking.
24	M MUTE	I	Lch mute request from CD mechanism.	"L" : Mute.
25	-	-	-	-
26	M STOP	O	Stop request to CD mechanism.	"L" : Mechanism stop. "H" : CD playing.
27	M RST	O	CD mechanism reset.	"L" : Reset.
28	CD DOWN	I	CD down switch detection.	"H" : Chucking.
29	ILLUMI ON	O	Illumination power control.	"H" : Illumination turns on. "L" : Illumination turns off.
30	IC2 TYPE 1	I	IC2 destination switch.	"L" : Pure KENWOOD brand. "H" : Genuine.
31	P-ON	I/O	SW 5V control.	"L" : P-ON turns on.
32	IC2 CLK	O	Clock signal to IC2 or CD mechanism.	-
33	VSS 1	-	GND.	-
34	IC2 DATA	I/O	Data from or to IC2 or CD mechanism.	-
35	R QUAL	I	RDS QUAL.	"L" : Model without RDS.
36	R DATA	I	RDS data.	"L" : Model without RDS.
37	AFS	O	Noise detection time constant switch.	"L" : FM seeking, AF searching. "H" : Signal receiving.
38	IC2 TYPE 0	I	IC2 destination switch.	"L" : Pure KENWOOD brand. "H" : Genuine.
39	AM+B	O	AM power supply.	"H" : AM signal receiving.
40	FM+B	O	FM power supply.	"H" : FM signal receiving.
41	CH MUTE	I	Mute request from the changer.	"H" : Mute effects.
42	CH RST	O	Reset signal to the changer.	"H" : Reset.
43	CH REQ H	O	Request to the changer.	"L" : Requesting.
44	CH CON	O	Changer control.	"H" : Changer controlled.
45	DIMMER CONT	O	Dimmer control.	"H" : Dimmer turns on.
46	MUTE	O	Mute.	"H" : Mute effects.
47	N/F MUTE	O	Non-fader preout mute.	"L" : Mute effects.
48	PRE MUTE	I/O	Front/Rear preout mute.	"L" : Mute effects.
49	REMOTE	I	Remote control.	-

KDC-419/X459

MICROCOMPUTER'S TERMINAL DESCRIPTION

(X25-) IC1 : u-COM

PORT No.	PORT NAME	I/O	FUNCTION	OPERATING CONDITION
50	N/F SW	O	Non-fader switch.	"H" : Rear. "L" : Front.
51	P MUTE	O	Power IC mute.	"L" : Power off, all off.
52	SVR	O	SVR control.	"H" : Discharging.
53	P STBY	O	Power IC stand-by control.	"H" : Power IC turns on.
54	ANT CONT	O	Antenna control.	"H" : Tuner or the traffic information turns on.
55	P CON	O	Power control.	"H" : Power turns on.
56	BU DET	I	Back-up detection.	"L" : Back-up effects.
57	ACC DET	I	ACC detection.	"L" : ACC effects.
58	DIMMER	I	Dimmer detection.	"L" : Dimmer turns off.
59	-	-	-	-
60	RESET	I	System u-com reset.	"L" : Reset.
61	EJECT	I	Eject key.	"L" : Key turns on.
62	CH REQ C	I	Request from the changer.	"L" : Requesting.
63	R CLK	I	RDS clock.	"L" : Model without RDS.
64	KEY REQ	I	Panel key interruption.	"L" : Key requesting.
65	12cm DISC	I	12cm DISC detection switch.	"L" : 12cm disc exists.
66	LOAD SW	I	Loading switch detection.	"L" : Loading starts.
67	VSS	-	GND.	-
68	VDD	-	VDD.	-
69	X2	-	Main clock.	Oscillates during turning power on.
70	X1	I	mail clock.	-
71	TEST	I	Program power supply.	-
72	XT2	-	Sub clock.	-
73	XT1	I	Sub clock.	-
74	VDD	-	VDD.	-
75	AVDD	-	Analogue VDD.	-
76	S METER	I	Tuner S-meter voltage.	-
77	NOISE	I	Noise detection.	-
78	PHONE	I	Phone detection.	TEL MUTE : Below 1V. NAVI MUTE : Over 2.5V.
79	IFC	I	IFC.	"H" : Station signal exists.
80	TYPE 2	I	Destination switch.	-

TEST MODE

1. How to enter the test mode

While holding the Preset 1 and Preset 3 keys, reset the unit.

2. How to exit from the test mode

Reset the unit, ACC OFF, power OFF and Panel detached.

(Note) The test mode cannot be terminated by momentary power down.

3. Initial status in the test mode

- Sources : ALL OFF
- Display : All segments are lit.
- Volume : -10dB (displayed as "30")
- Loudness : OFF
- CRSC : OFF regardless of the presence of switching function.
- SYSTEM Q : Flat
- BEEP : When pressing any keys, the buzzer generates a beep at any time.

4. Special display in Tuner mode

When any of the following messages is displayed in Tuner mode, the F/E may be abnormal.

- "TNE2P NG" : The EEPROM is set to the default (unstable values) because the F/E was shipped without passing through the adjustment process, etc.
- "TNCON NG" : Communication with the F/E is not possible.

5. Forced switching of K3I

Each press of the Preset 6 key in Tuner mode should switch K3I from AUTO → Forced Wide → Forced Middle → Forced Narrow → AUTO.

The initial status is AUTO and the display shows these modes as follows.

- AUTO : FMA
- Forced Wide : FMW
- Forced Middle : FMM
- Forced Narrow : FMN

6. Test mode specifications of the CD receiver

- Forced ejection is inhibited in the reset start operation. When the unit is reset while a CD is loaded in it, the CD is not recognized by resetting.
- Each press of the Track Up key jumps to the following track numbers:
No. 9 → No. 15 → No. 10 → No. 11 → No. 12 → No. 13 → No. 14 → No. 9 (The cycle restarts from here.)
- Each press of the Track Down key jumps to the previous track number to the track being played.
- When the number of total tracks of the MP3 disc is less than 9, 1st track is played.

7. Audio-related specifications

- A short press of the Q key initiates the audio adjustment mode.
- Pressing the * key on the remote initiates the audio adjustment mode.
- Fader is selected to the initial item.
- Continuous holding of a remote control key is inhibited.

- Bass, Middle and Treble are adjusted in 3 steps of Min / Center / Max with the Track Up/Down keys.
- Balance is adjusted in 3 steps of Left Max / Center / Right Max with the Track Up/Down keys.
- Fader is adjusted in 3 steps of Rear Max / Center / Front Max with the Track Up/Down keys.

8. Menu-related specifications

- A short press of the MENU key initiates the Menu mode.
- Pressing the DNPP/SBF key on the remote initiates the Menu mode.
- Continuous holding of a remote control key is inhibited.

9. Backup current measurement

When the unit is reset while ACC is OFF (i.e. by turning Backup ON), the MUTE terminal goes OFF in 2 seconds in place of 15 second. (The CD mechanism is not activated at this time.)

10. Special display when the display is all on

Pressing the Preset keys while the power is ALL OFF displays the following information.

[PRESET 1]	Version display (8 digits, Month/Day/Hour/Minute) (Display) xxxxxxxx : System microcomputer
[PRESET 3]	Short press : View power ON time. (The All OFF period is not counted.) Long press/hold : Clear power ON time at the power ON time displaying. (Display) PON xxxxx Max. 65535 (hours)
[PRESET 4]	Short press : Display CD operation time. Long press/hold : Clear CD operation time at the CD operation time displaying. (Display) CDT xxxxx Max. 65535 (hours)
[PRESET 5]	Short press : Display CD ejection count. Long press/hold : Clear CD ejection count at the CD ejection count displaying. (Display) EJC xxxxx Max. 65535 (times)
[PRESET 6]	Short press : Display Panel open/close count. Long press/hold : Clear Panel open/close count at the Panel open/close count. (Display) PC xxxxxx Max. 655350 (times)

• Security-related information

1. Forced Power ON mode (All models)

Even when the security (Mask key) is approved, resetting the unit while holding the ATT and Preset 4 keys makes it possible to turn the power ON for 30 minutes. After 30 minutes have elapsed, it is not possible to return to the previous condition unless the unit is reset again.

2. Method of registration of the security code after EEPROM (Tuner Unit Ass'y) replacement (Code security model)

1. Enter the test mode. (See 1. How to enter the test mode)
2. Press the MENU key to enter the Menu mode.

KDC-419/X459

TEST MODE

3. When the message "Security" is displayed, press and hold the Track Up/Down key for 1 second to enter the security registration mode.
4. Enter the code using the FM/AM/Track Up/Track Down keys.
 - FM key : Number up
 - Am key : Number down
 - Track Up key : Cursor right shift
 - Track Down key : Cursor left shift
5. Hold down the Track Up key for at least 3 seconds and the message, "RE-ENTER" appears, so once again enter the code according to Step 4 above.
6. Press and hold the Track Up key for 3 seconds until "APPROVED" is displayed.
7. Exit from the test mode. (See 2. How to exit from the test mode)
(Note) All Clear is not applicable to the security code of this model.

3. Simplified method of clearing the security code (K Type only)

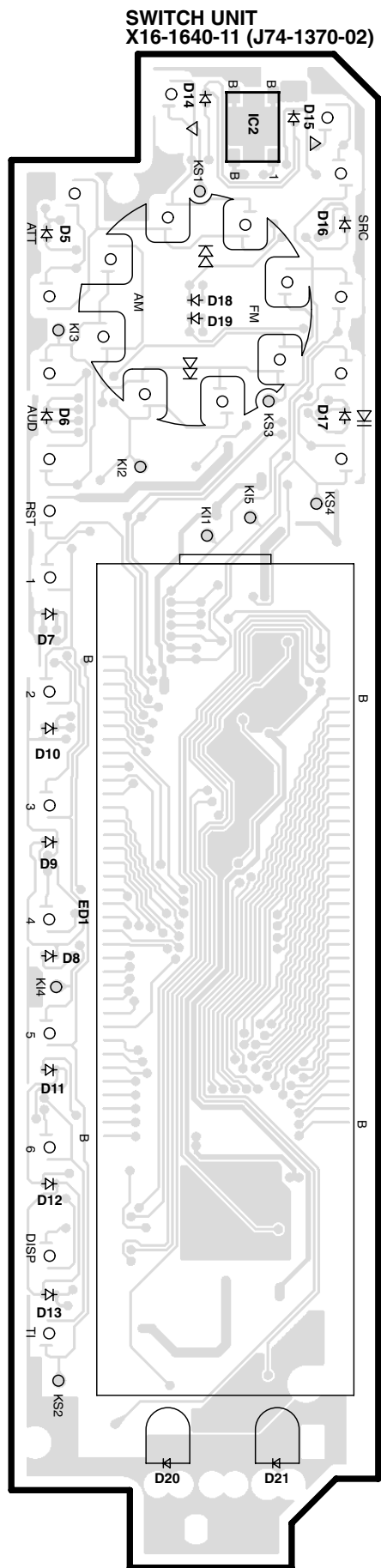
1. While the code entry is requested, press and hold the VOL UP key for 3 seconds while holding the DISP key pressed. (This should turn "----" off.)
2. Enter "KCAR" from the remote. (Same way as the 01 model)
 - Press the 5 key on the remote twice, then press the Track Up key. (This enters "K".)
 - Press the 2 key on the remote 3 times, then press the Track Up key. (This enters "C".)
 - Press the 2 key on the remote once, then press the Track Up key. (This enters "A".)
 - Press the 7 key on the remote twice, then press the Track Up key. (This enters "R".)
3. The security code is cleared and the unit enters the ALL OFF mode.
4. If you commit a mistake in the code entry, the unit enters the code request mode again.

PC BOARD(Component side view)

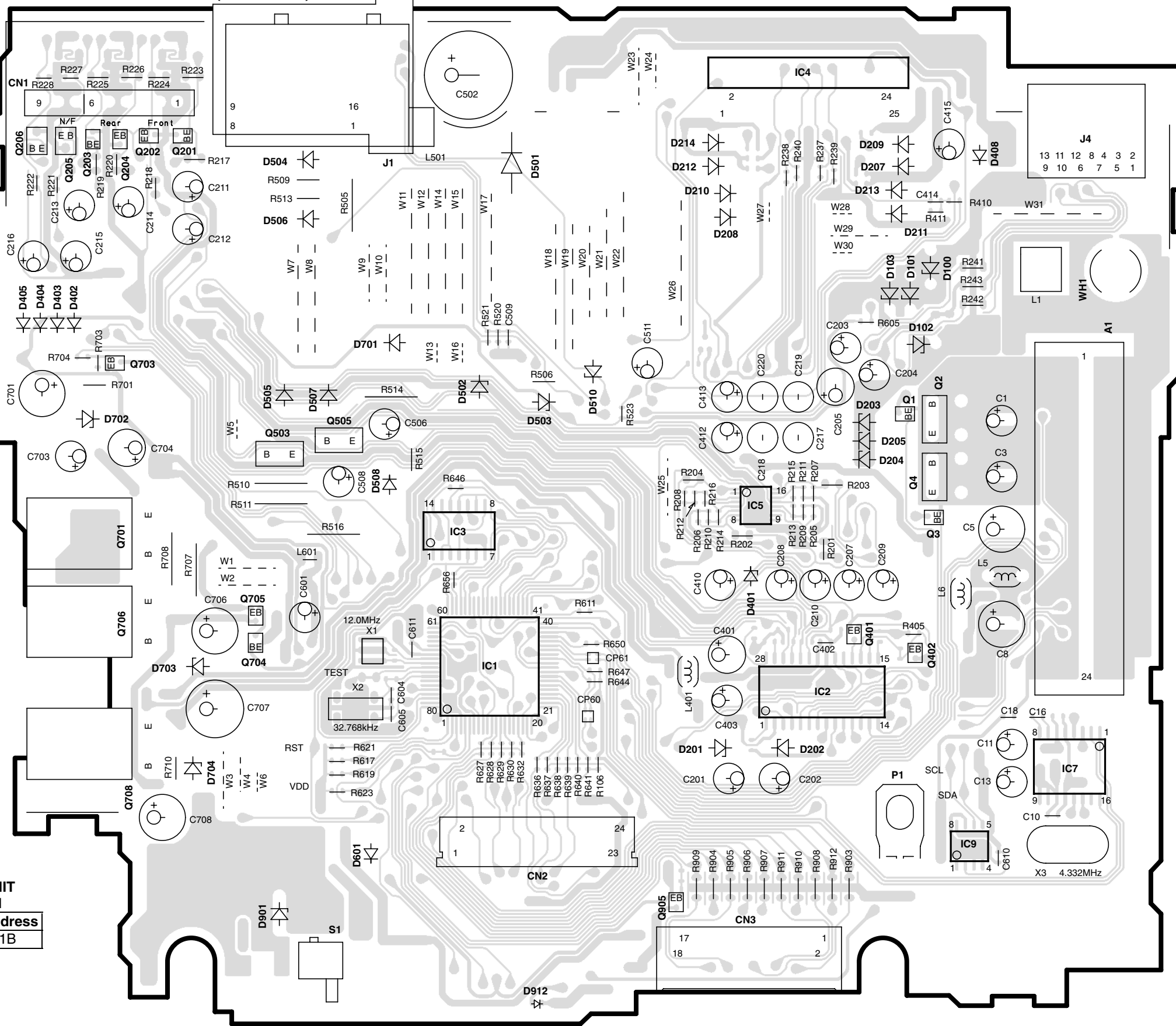
ELECTRIC UNIT X25-921x-xx/X25-922x-xx

Ref.No	IC1	IC2	IC3	IC4	IC5	IC7	IC9	Q1	Q2	Q3	Q4	Q201	Q202	Q203
Address	5F	5H	4F	2H	4G	5I	6I	3H	4H	4H	4H	2D	2D	2D

Ref.No	Q204	Q205	Q206	Q401	Q402	Q503	Q505	Q701	Q703	Q704	Q705	Q706	Q708	Q905
Address	2D	2D	2C	5H	5H	4E	4E	4D	3D	5E	5E	5D	5D	6G



**ELECTRIC UNIT X25-921x-xx (J74-1323-12)
X25-922x-xx (J74-1388-12)**

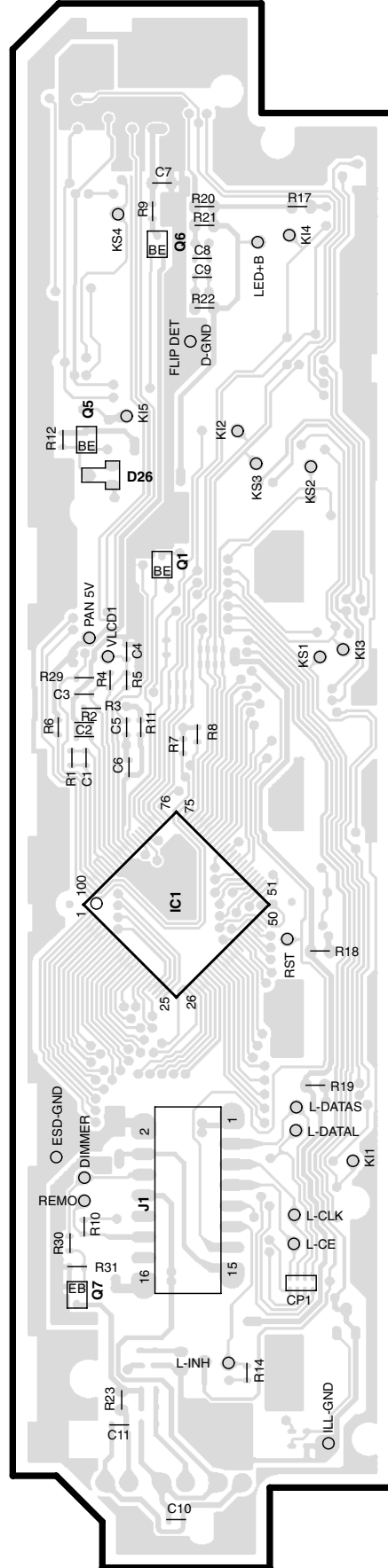


SWITCH UNIT X16-1640-11

Ref.No	Address
IC2	1B

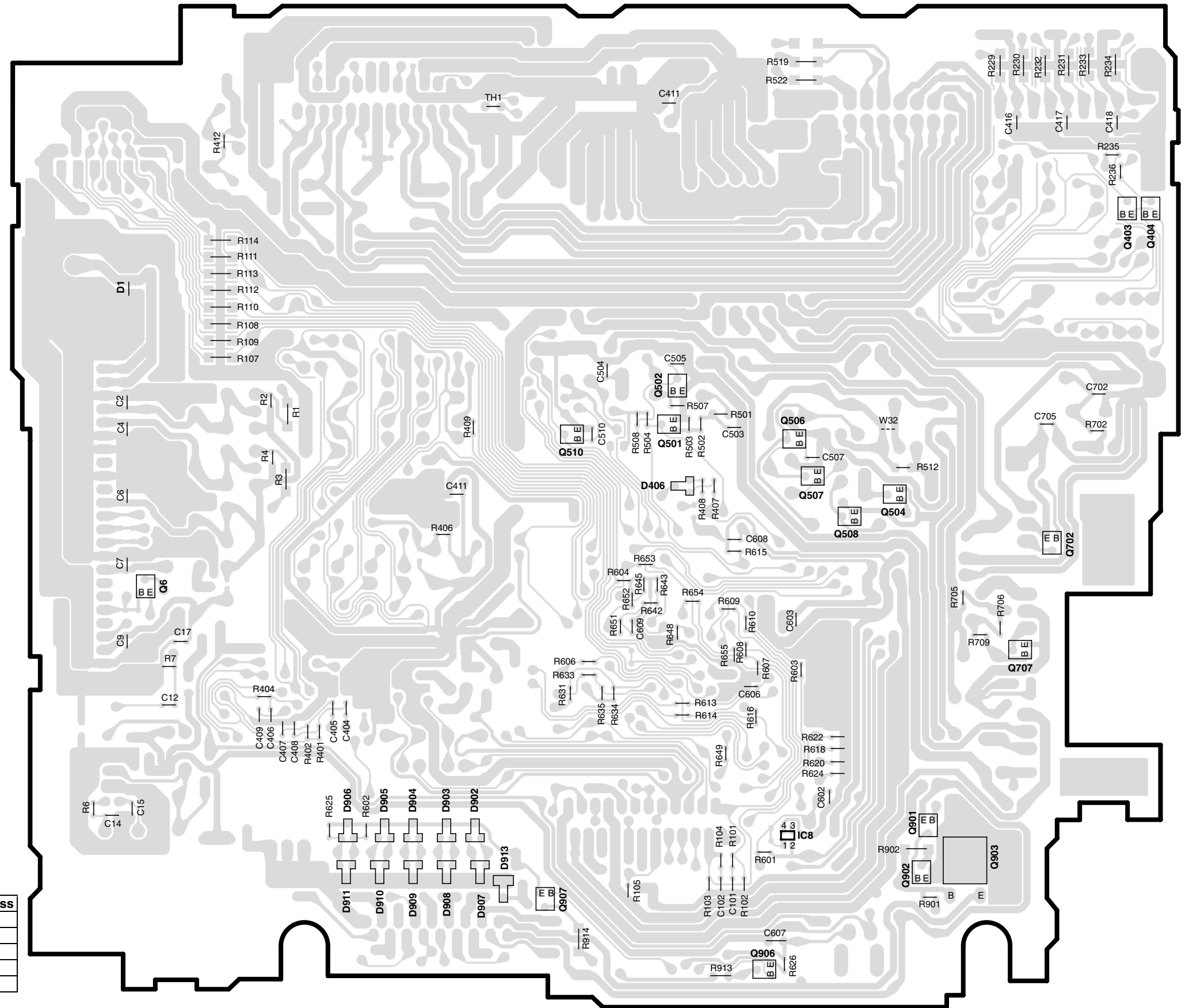
PC BOARD(Foil side view)

**SWITCH UNIT
X16-1640-11 (J74-1370-02)**



SWITCH UNIT X16-1640-11	
Ref.No	Address
IC	4L
Q1	3L
Q5	3K
Q6	2L
Q7	6K

**ELECTRIC UNIT X25-921x-xx(J74-1323-12)
X25-922x-xx(J74-1388-12)**

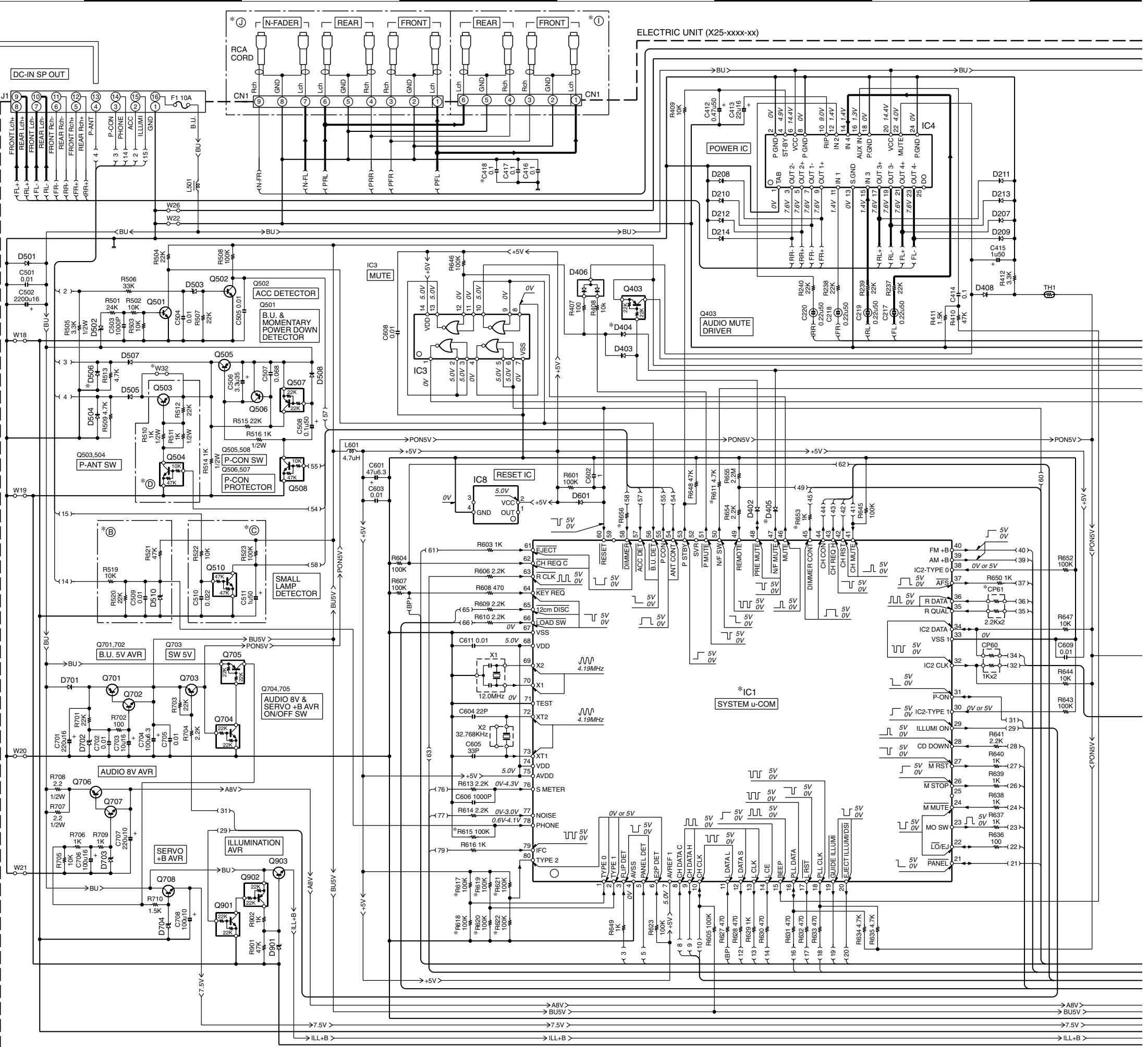
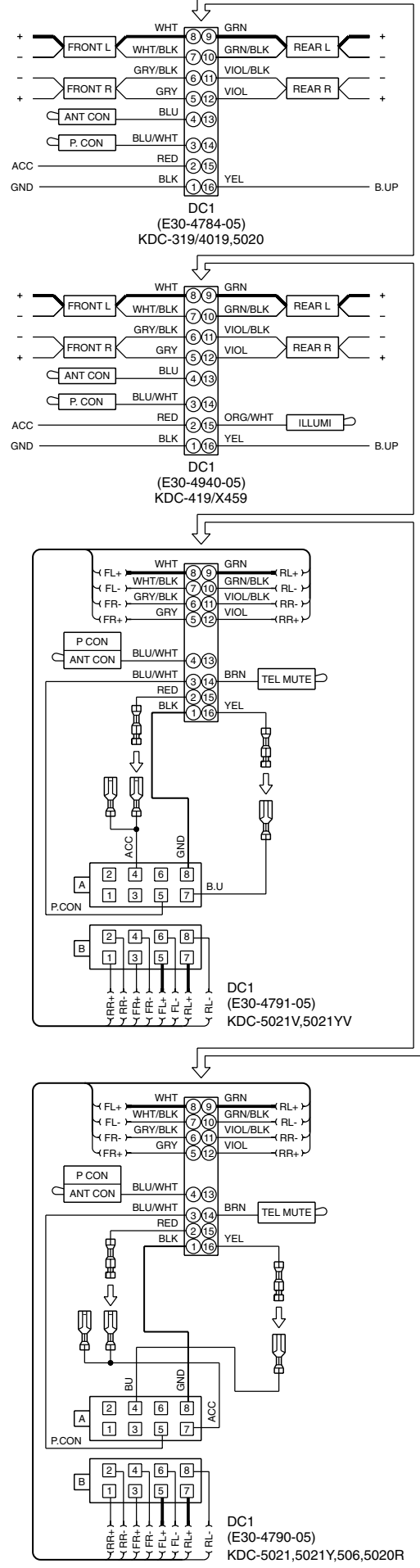


ELECTRIC UNIT X25-921x-xx/X25-922x-xx

Ref.No	IC8	Q6	Q403	Q404	Q501	Q502	Q504	Q506	Q507
Address	6R	5N	2S	2T	4Q	3Q	4R	4R	4R

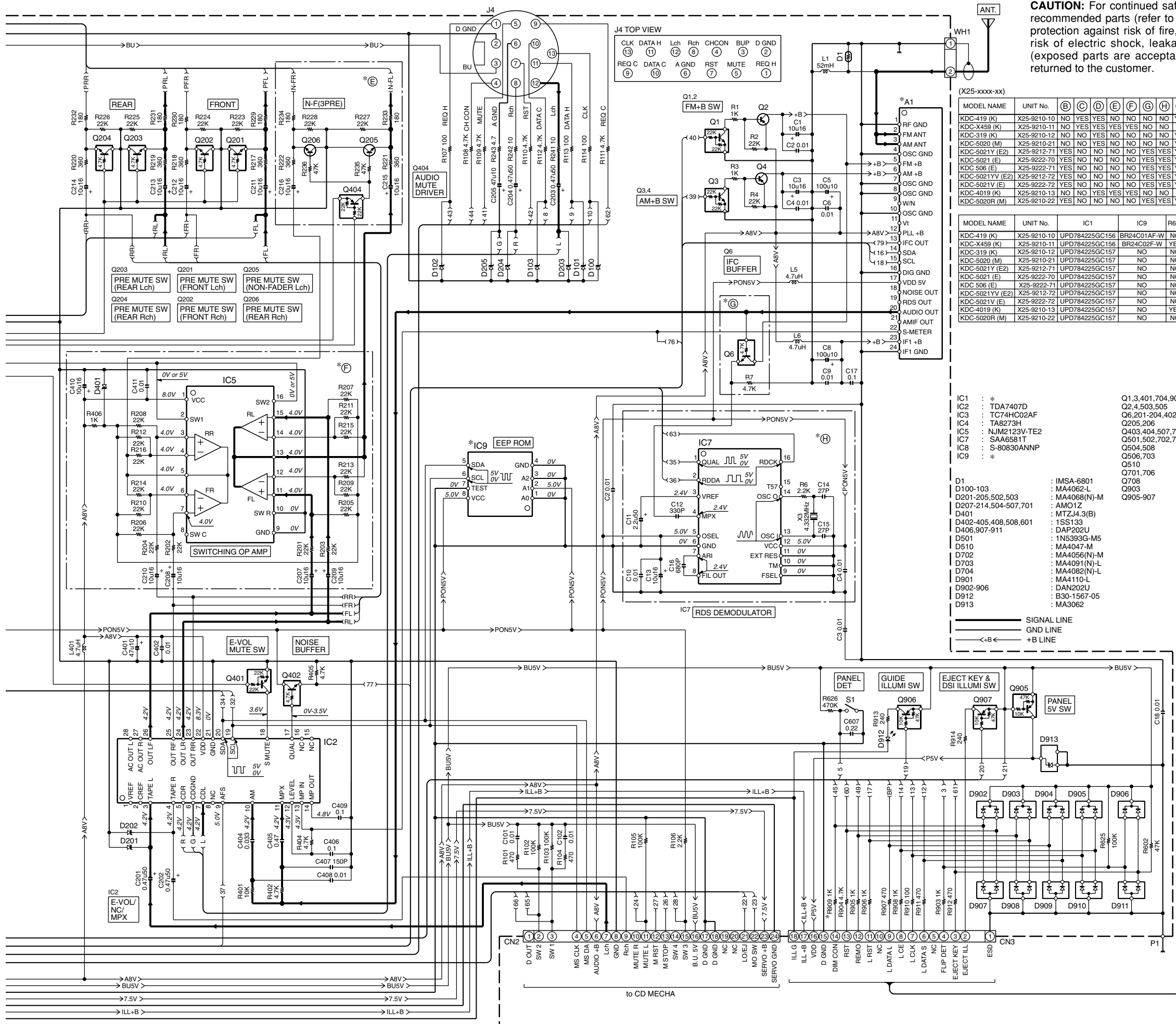
Ref.No	Q508	Q510	Q702	Q707	Q901	Q902	Q903	Q906	Q907
Address	4R	4P	4S	5S	6R	6R	6S	7Q	6P

Refer to the schematic diagram for the value of resistors and capacitors.



ELECTRIC UNIT (X25-xxxx-xx)

2
3
4
5
6
7



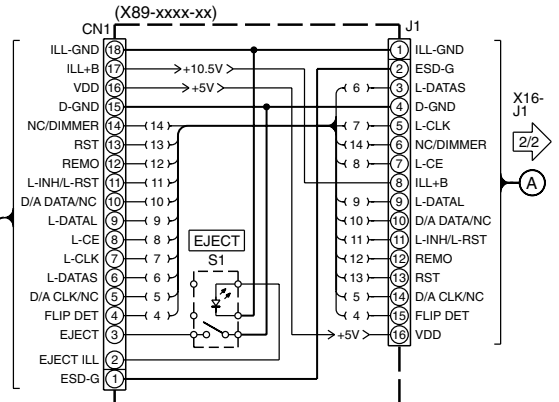
CAUTION: For continued safety, replace safety critical components only with manufacturer's recommended parts (refer to parts list). Δ indicates safety critical components. For continued protection against risk of fire, replace only with same type and rating fuse(s). To reduce the risk of electric shock, leakage-current or resistance measurements shall be carried out (exposed parts are acceptably insulated from the supply circuit) before the appliance is returned to the customer.

(X25-xxxx-xx)

MODEL NAME	UNIT No.	B	C	D	E	F	G	H	I	J	A1	C418	CP61	D404, 405	D506
KDC-419 (K)	X25-9210-10	NO	YES	YES	NO	NO	NO	NO	NO	YES	NO	NO	NO	NO	YES
KDC-X459 (K)	X25-9210-11	NO	YES	YES	YES	YES	NO	NO	NO	YES	NO	NO	NO	NO	YES
KDC-319 (K)	X25-9210-12	NO	NO	YES	NO	NO	NO	NO	NO	YES	NO	NO	NO	NO	YES
KDC-5020 (M)	X25-9210-21	NO	AM	ANT	NO	NO	NO	NO	NO	YES	NO	NO	NO	NO	YES
KDC-5021Y (E2)	X25-9212-71	YES	NO	NO	NO	NO	YES	YES	YES	NO	NO	NO	NO	NO	NO
KDC-5021 (E)	X25-9222-70	YES	NO	NO	NO	NO	YES	YES	YES	NO	NO	NO	NO	NO	NO
KDC-506 (E)	X25-9222-71	YES	NO	NO	NO	NO	YES	YES	YES	NO	NO	NO	NO	NO	NO
KDC-5021YV (E2)	X25-9222-72	YES	AM	NO	NO	NO	YES	YES	YES	NO	NO	NO	NO	NO	NO
KDC-5021V (E)	X25-9222-72	YES	NO	NO	NO	NO	YES	YES	YES	NO	NO	NO	NO	NO	NO
KDC-4019 (K)	X25-9210-13	NO	NO	YES	YES	NO	NO	NO	NO	YES	NO	NO	NO	NO	NO
KDC-5020R (M)	X25-9210-22	YES	NO	NO	NO	NO	YES	YES	YES	NO	NO	NO	NO	NO	NO

MODEL NAME	UNIT No.	IC1	IC9	R611	R615	R617	R618	R619	R620	R621	R622	R653, 656	R909	W32
KDC-419 (K)	X25-9210-10	UPD784225GC156	BR24C01AF-W	NO	YES	NO	YES	NO	YES	NO	NO	YES	YES	NO
KDC-X459 (K)	X25-9210-11	UPD784225GC156	BR24C02F-W	YES	YES	NO	YES	YES	NO	YES	NO	YES	YES	NO
KDC-319 (K)	X25-9210-12	UPD784225GC157	NO	NO	YES	NO	YES	NO	YES	NO	NO	NO	NO	NO
KDC-5020 (M)	X25-9210-21	UPD784225GC157	NO	NO	YES	NO	YES	NO	YES	NO	NO	NO	NO	NO
KDC-5021Y (E2)	X25-9212-71	UPD784225GC157	NO	NO	NO	NO	YES	YES	NO	NO	NO	NO	NO	YES
KDC-5021 (E)	X25-9222-70	UPD784225GC157	NO	NO	NO	NO	YES	YES	NO	NO	NO	NO	NO	NO
KDC-506 (E)	X25-9222-71	UPD784225GC157	NO	NO	NO	NO	YES	NO	YES	NO	NO	NO	NO	YES
KDC-5021YV (E2)	X25-9222-72	UPD784225GC157	NO	NO	NO	NO	YES	NO	YES	NO	NO	NO	NO	NO
KDC-5021V (E)	X25-9222-72	UPD784225GC157	NO	NO	NO	NO	YES	NO	YES	NO	NO	NO	NO	YES
KDC-4019 (K)	X25-9210-13	UPD784225GC157	NO	YES	YES	NO	NO	YES	NO	YES	NO	NO	NO	NO
KDC-5020R (M)	X25-9210-22	UPD784225GC157	NO	NO	NO	NO	YES	YES	NO	YES	NO	NO	NO	YES

- IC1 : *
 - IC2 : TDA7407D
 - IC3 : TC74HC02AF
 - IC4 : TA8273H
 - IC5 : NJM2123V-TE2
 - IC7 : SAA6581T
 - IC8 : S-80830ANNP
 - IC9 : *
- Q1,3,401,704,901 : DTC124EUA
 - Q2,4,503,505 : 2SB1277(Q,R) or 2SB1434
 - Q6,201-204,402 : DTC143TUA
 - Q205,206 : 2SC2114K
 - Q403,404,507,705,902 : DTA124EUA
 - Q501,502,702,707 : 2SC4081
 - Q504,508 : DTC114YUA
 - Q506,703 : 2SA1576A
 - Q510 : DTC144EUA
 - Q701,706 : 2SA2057
 - Q708 : 2SD2375
 - Q903 : 2SD1760
 - Q905-907 : DTA114YUA
- D1 : IMSA-6801
 - D100-103 : MA4062-L
 - D201-205,502,503 : MA4068(N)-M
 - D207-214,504-507,701 : AMO1Z
 - D401 : MTZJ4.3(B)
 - D402-405,408,508,601 : 1S5133
 - D406,907-911 : DAP202U
 - D501 : 1N5393G-M5
 - D510 : MA4047-M
 - D702 : MA4056(N)-M
 - D703 : MA4091(N)-L
 - D704 : MA4082(N)-L
 - D901 : MA4110-L
 - D902-906 : DAN202U
 - D912 : B30-1567-05
 - D913 : MA3062

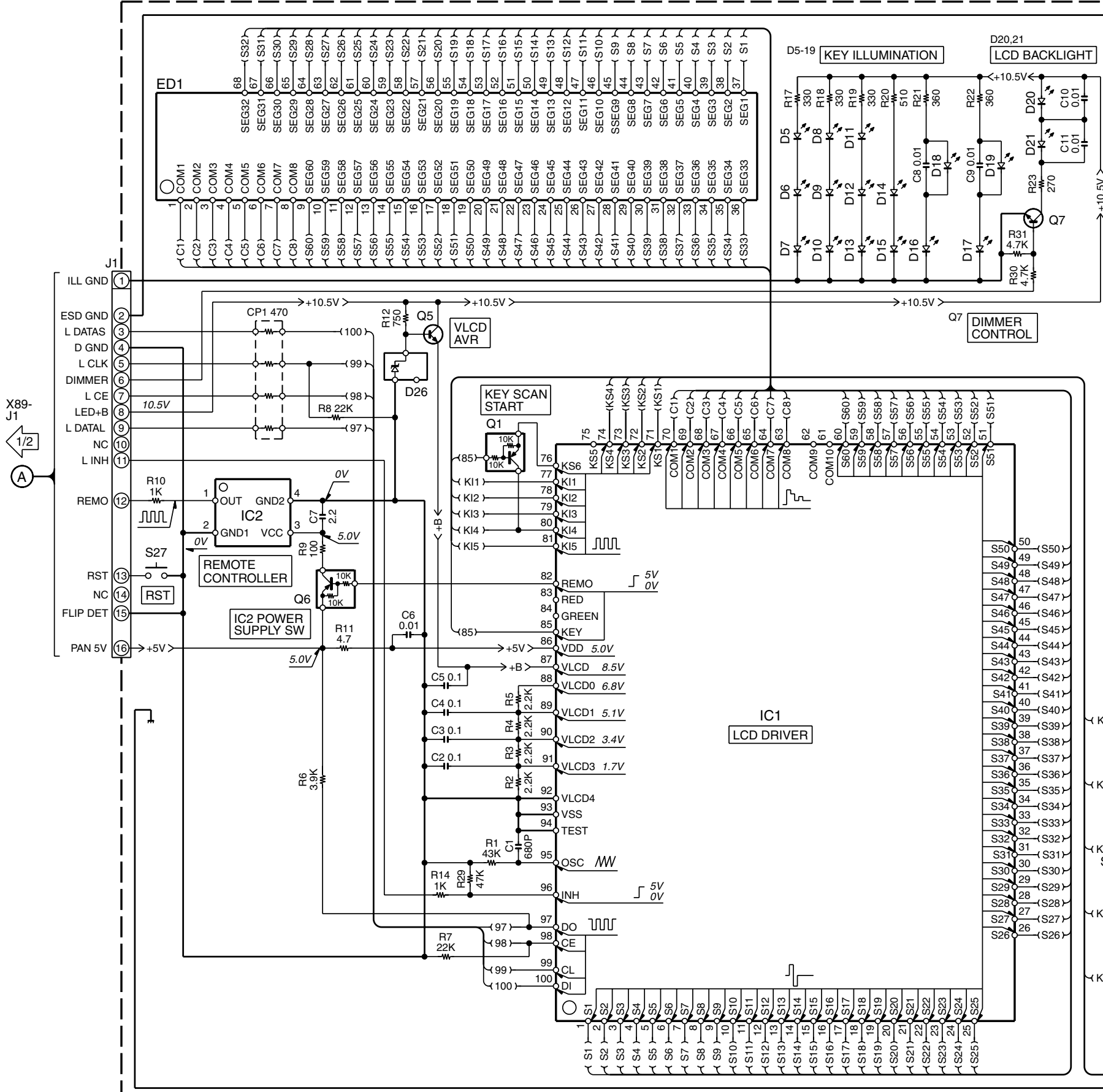


- KDC-5021/5021V,506 (E/E,E) (1/2)
- KDC-5020R,5021Y/V (M/E,E) (1/2)
- KDC-319/4019,5020 (K/K,M) (1/2)
- KDC-419/X459 (K/K) (1/2)

KDC-419/X459

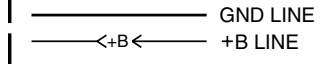
KENWOOD

SWITCH (X16-1640-11)

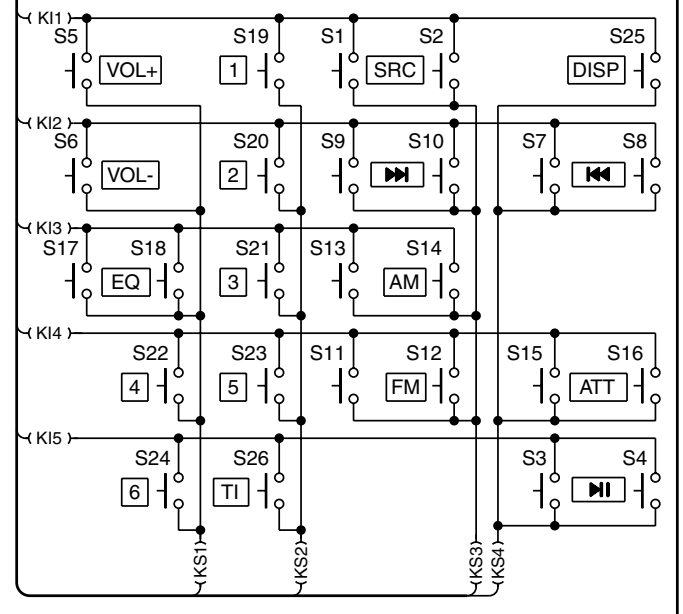


- IC1 : LC75808W
- IC2 : RS-171
- Q1,6 : DTA114EUA
- Q5,7 : 2SC4081
- D5-17 : B30-1533-05
- D18,19 : B30-1564-05
- D20,21 : B30-1571-05
- D26 : MA3091-M

CAUTION: For continued safety, replace safety critical components only with manufacturer's recommended parts (refer to parts list). Δ indicates safety critical components. For continued protection against risk of fire, replace only with same type and rating fuse(s). To reduce the risk of electric shock, leakage-current or resistance measurements shall be carried out (exposed parts are acceptably insulated from the supply circuit) before the appliance is returned to the customer.



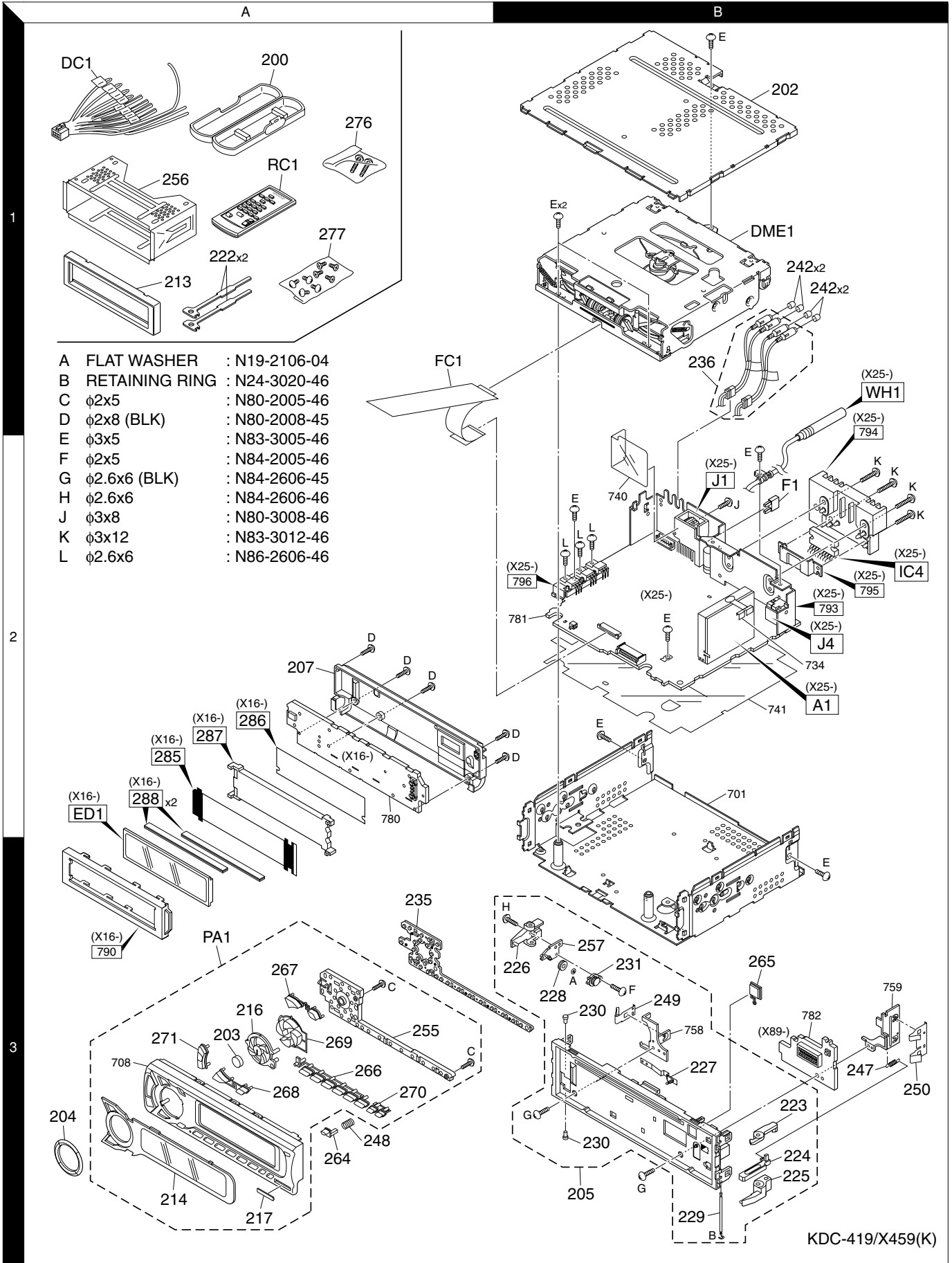
- DTC114YUA
- DTC143TUA
- UN5213
- UN5214
- 2SA1576A
- 2SB1218A
- 2SD1819A
- 2SD2114K
- 2SD1760
- 2SB1277
- 2SC4081
- DTA114EUA
- DTA124EUA
- DTA144EUA
- DTC124EUA
- DAN202U
- DAP202U
- DTA114YUA
- UN5212
- TC74HC02AF
- BR24C01AF-W
- BR24C02F-W
- NJM2123V-TE2



KDC-419/X459(K/K) (2/2)

KDC-419/X459

EXPLODED VIEW



KDC-419/X459(K)

KDC-419/X459

PARTS LIST

*New Parts

Parts without **Part No.** are not supplied.

Les articles non mentionnés dans le **Parts No.** ne sont pas fournis.

Teile ohne **Parts No.** werden nicht geliefert.

Ref. No.	A d d	N e w	Parts No.	Description	Desti- nation
KDC-419/X459					
200	1A		A02-1486-13	PLASTIC CABINET ASSY	
202	1B	*	A52-0806-02	TOP PLATE	
203	3A	*	A21-4172-04	DRESSING PANEL	
204	3A	*	A21-4174-03	DRESSING PANEL	
205	3B	*	A22-2932-02	SUB PANEL ASSY	
207	2A	*	A46-1754-01	REAR COVER	
PA1	3A	*	A64-2592-02	PANEL ASSY	K3
PA1	3A	*	A64-2593-02	PANEL ASSY	K4
RC1	1A		A70-2025-05	REMOTE CONTROLLER ASSY (RC-410)	
213	1A		B07-3055-02	ESCUTCHEON	K3
213	1A		B07-3058-02	ESCUTCHEON	K4
214	3A	*	B10-4170-01	FRONT GLASS	K3
214	3A	*	B10-4171-01	FRONT GLASS	K4
216	3A	*	B19-2138-03	LIGHTING BOARD	
217	3A		B43-1284-04	BADGE	
-			B46-0100-50	WARRANTY CARD	
-			B46-0606-04	ID CARD	
-		*	B46-0645-03	USER CARD (SIRIUS)	
-		*	B46-0648-03	USER CARD (eXcelon)	K4
-		*	B64-2243-00	INST. MANUAL (ENG,FRE,SPA)	
222	1A	*	D10-4589-04	LEVER	
223	3B	*	D10-4666-04	LEVER	
224	3B	*	D10-4667-04	LEVER	
225	3B	*	D10-4668-04	LEVER	
226	3B	*	D10-4669-03	LEVER	
227	3B	*	D10-4673-04	LEVER ASSY	
228	3B	*	D13-2232-04	GEAR	
229	3B	*	D21-2404-04	SHAFT	
230	3B	*	D21-2405-04	SHAFT	
231	3B	*	D39-0255-05	DAMPER	
235	3A	*	E29-1881-02	CONDUCTIVE RUBBER	
236	1B	*	E30-6050-05	CORD WITH PINPLUG	K3
236	1B	*	E30-6052-05	CORD WITH PINPLUG	K4
DC1	1A	*	E30-4940-05	DC CORD	
FC1	1A	*	E39-0438-05	FLAT CABLE	
242	1B		F29-0049-05	INSULATING COVER	
F1	2B		F52-0006-05	FUSE (MINI BLADE TYPE) (10A)	
F1	2B		F52-0011-05	FUSE (MINI BLADE TYPE) (10A)	
247	3B	*	G01-3128-04	EXTENSION SPRING	
248	3A	*	G01-3129-04	COMPRESSION SPRING	
249	3B	*	G02-1425-04	FLAT SPRING	
250	3B	*	G02-1426-04	FLAT SPRING	
-		*	H10-4806-12	POLYSTYRENE FOAMED FIXTURE	
-			H25-0329-04	PROTECTION BAG (280X450X0.03)	
-			H25-0337-04	PROTECTION BAG (180X300X0.03)	
-		*	H54-2355-03	ITEM CARTON CASE (KDC-419)	K3
-		*	H54-2356-03	ITEM CARTON CASE (KDC-X459)	K4
255	3A	*	J19-5138-02	HOLDER	
256	1A		J21-9716-03	MOUNTING HARDWARE ASSY	
257	3B	*	J21-9809-04	MOUNTING HARDWARE ASSY	
264	3A	*	K24-3831-04	KNOB (RELEASE)	

Ref. No.	A d d	N e w	Parts No.	Description	Desti- nation
265	3B	*	K24-3832-04	KNOB (EJECT)	
266	3A	*	K25-1409-03	KNOB (PRESET)	
267	3A	*	K25-1410-03	KNOB (SRC)	
268	3A	*	K25-1411-03	KNOB (ATT)	
269	3A	*	K25-1412-03	KNOB (FM/AM)	
270	3A	*	K25-1413-03	KNOB (DISP)	
271	3A	*	K25-1414-03	KNOB (VOL)	
276	1A		N99-1656-05	SCREW SET	
277	1A		N99-1719-05	SCREW SET	
A	3B		N19-2106-04	FLAT WASHER	
B	3B		N24-3020-46	E TYPE RETAINING RING	
C	3A		N80-2005-46	PAN HEAD TAPTITE SCREW	
D	2A		N80-2008-45	PAN HEAD TAPTITE SCREW	
E	1B		N83-3005-46	PAN HEAD TAPTITE SCREW	
F	3B		N84-2005-46	PAN HEAD TAPTITE SCREW	
G	3B		N84-2606-45	PAN HEAD TAPTITE SCREW	
H	3B		N84-2606-46	PAN HEAD TAPTITE SCREW	
DME1	1B	*	X92-4430-00	MECHANISM ASSY	
SWITCH UNIT (X16-1640-11)					
285	2A	*	B11-1367-04	OPTICAL DIFFUSER	
286	2A	*	B11-1366-04	REFLECTION SHEET	
287	2A	*	B19-2135-03	LIGHTING BOARD	
D5 -17			B30-1533-05	LED (PG)	
D18 ,19			B30-1564-05	LED (BLUE)	
D20 ,21			B30-1571-05	LED (WHITE)	
ED1	2A	*	B38-1089-05	LIQUID CRYSTAL	
C1			CC73GCH1H681J	CHIP C 680PF	J
C2 -5			CK73GB1C104K	CHIP C 0.10UF	K
C6			CK73GB1H103K	CHIP C 0.010UF	K
C7			CK73FB1A225K	CHIP C 2.2UF	K
C8 -11			CK73GB1H103K	CHIP C 0.010UF	K
288	2A	*	E29-1882-04	CONDUCTIVE RUBBER	
J1			E59-0829-05	RECTANGULAR PLUG	
CP1			R90-1016-05	MULTI-COMP 470	X4
R1			RK73GB2A433J	CHIP R 43K	J 1/10W
R2 -5			RK73GB2A222J	CHIP R 2.2K	J 1/10W
R6			RK73GB2A392J	CHIP R 3.9K	J 1/10W
R7 ,8			RK73GB2A223J	CHIP R 22K	J 1/10W
R9			RK73GB2A101J	CHIP R 100	J 1/10W
R10			RK73GB2A102J	CHIP R 1.0K	J 1/10W
R11			RK73GB2A4R7J	CHIP R 4.7	J 1/10W
R12			RK73GB2A751J	CHIP R 750	J 1/10W
R14			RK73GB2A102J	CHIP R 1.0K	J 1/10W
R17 -19			RK73FB2B331J	CHIP R 330	J 1/8W
R20			RK73FB2B511J	CHIP R 510	J 1/8W
R21 ,22			RK73FB2B361J	CHIP R 360	J 1/8W
R23			RK73FB2B271J	CHIP R 270	J 1/8W
R29			RK73GB2A473J	CHIP R 47K	J 1/10W
R30 ,31			RK73GB2A472J	CHIP R 4.7K	J 1/10W
D26			MA3091-M	ZENER DIODE	
IC1			LC75808W	MOS-IC	
IC2			RS-171	ANALOGUE IC	

K3 : KDC-419

K4 : KDC-X459

E : Europe

K : North America

M : Other Areas

 indicates safety critical components.

PARTS LIST

*New Parts

Parts without Part No. are not supplied.

Les articles non mentionnés dans le Parts No. ne sont pas fournis.

Teile ohne Parts No. werden nicht geliefert.


(X25-921x-xx)

Ref. No.	A d d	N e w	Parts No.	Description	Desti- nation
Q1			DTA114EUA	DIGITAL TRANSISTOR	
Q1			KRA302	DIGITAL TRANSISTOR	
Q5			2SC4081	TRANSISTOR	
Q6			DTA114EUA	DIGITAL TRANSISTOR	
Q6			KRA302	DIGITAL TRANSISTOR	
Q7			2SC4081	TRANSISTOR	
ELECTRIC UNIT (X25-921x-xx)					
D912			B30-1567-05	LED (RED)	
C1			CE04NW1C100M	ELECTRO 10UF 16WV	
C2			CK73GB1H103K	CHIP C 0.010UF K	
C3			CE04NW1C100M	ELECTRO 10UF 16WV	
C4			CK73GB1H103K	CHIP C 0.010UF K	
C5			CE04NW1A101M	ELECTRO 100UF 10WV	
C6			CK73GB1H103K	CHIP C 0.010UF K	
C8			CE04NW1A101M	ELECTRO 100UF 10WV	
C9			CK73GB1H103K	CHIP C 0.010UF K	
C17			CK73GB1C104K	CHIP C 0.10UF K	
C18			CK73GB1H103K	CHIP C 0.010UF K	
C101,102			CK73GB1H103K	CHIP C 0.010UF K	
C201-204			CE04NW1HR47M	ELECTRO 0.47UF 50WV	
C205			CE04NW1A470M	ELECTRO 47UF 10WV	
C207-216			CE04NW1C100M	ELECTRO 10UF 16WV	K4
C211-214			CE04NW1C100M	ELECTRO 10UF 16WV	K3
C217-220			C90-5296-05	NP-ELECT 0.22UF 50WV	
C401			CE04NW1A470M	ELECTRO 47UF 10WV	
C402			CK73GB1H103K	CHIP C 0.010UF K	
C403			CE04NW1H2R2M	ELECTRO 2.2UF 50WV	
C404			CK73GB1E333K	CHIP C 0.033UF K	
C405			CK73GB1A474K	CHIP C 0.47UF K	
C406			CK73GB1C104K	CHIP C 0.10UF K	
C407			CC73GCH1H151J	CHIP C 150PF J	
C408			CK73GB1H103K	CHIP C 0.010UF K	
C409			CK73GB1C104K	CHIP C 0.10UF K	
C410			CE04NW1C100M	ELECTRO 10UF 16WV	K4
C411			CK73GB1H103K	CHIP C 0.010UF K	K4
C412			CE04NW1HR47M	ELECTRO 0.47UF 50WV	
C413			CE04NW1C220M	ELECTRO 22UF 16WV	
C414			CK73GB1C104K	CHIP C 0.10UF K	
C415			CE04NW1H010M	ELECTRO 1.0UF 50WV	
C416,417			CK73FB1E104K	CHIP C 0.10UF K	K4
C416,417			CK73FB1E104K	CHIP C 0.10UF K	K3
C501			CK73GB1H103K	CHIP C 0.010UF K	
C502			C90-5235-05	ELECTRO 2200UF 16WV	
C503			CK73GB1H102K	CHIP C 1000PF K	
C504,505			CK73GB1H103K	CHIP C 0.010UF K	
C506			CE04NW1V3R3M	ELECTRO 3.3UF 35WV	
C507			CK73GB1C683K	CHIP C 0.068UF K	
C507			CK73GB1H683K	CHIP C 0.068UF K	
C508			CE04NW1H0R1M	ELECTRO 0.1UF 50WV	
C510			CK73GB1E223K	CHIP C 0.022UF K	
C511			CE04NW1H010M	ELECTRO 1.0UF 50WV	
C601			CE04NW0J470M	ELECTRO 47UF 6.3WV	
C602			CK73GB0J105K	CHIP C 1.0UF K	
C603			CK73GB1H103K	CHIP C 0.010UF K	
C604			CC73GCH1H220J	CHIP C 22PF J	
C605			CC73GCH1H330J	CHIP C 33PF J	
C606			CK73GB1H102K	CHIP C 1000PF K	
C607			CK73FB1C224K	CHIP C 0.22UF K	
C608,609			CK73GB1H103K	CHIP C 0.010UF K	
C611			CK73GB1H103K	CHIP C 0.010UF K	
C701			C90-2866-05	ELECTRO 220UF 16WV	
C702			CK73GB1H103K	CHIP C 0.010UF K	
C703			CE04NW1C100M	ELECTRO 10UF 16WV	
C704			CE04NW0J101M	ELECTRO 100UF 6.3WV	
C705			CK73GB1H103K	CHIP C 0.010UF K	
C706			CE04NW1C101M	ELECTRO 100UF 16WV	
C707			CE04CW1A221M	ELECTRO 220UF 10WV	
C708			CE04NW1A101M	ELECTRO 100UF 10WV	
CN1			E40-3241-05	PIN ASSY	K3
CN1			E40-5066-05	PIN ASSY	K4
CN2		*	E41-0168-05	FLAT CABLE CONNECTOR	
CN3		*	E41-0167-05	PIN ASSY	
J1			E58-0863-15	RECTANGULAR RECEPTACLE	
J4			E56-0834-05	CYLINDRICAL RECEPTACLE	
P1			E23-0745-05	TERMINAL	
W1 -31			E31-0001-00	JUMPER WIRE	
WH1			E30-4804-05	CORD WITH PLUG	
WH1			E30-4932-05	CORD WITH PLUG	
L1			L33-1123-05	LINE FILTER COIL	
L5 ,6			L40-4795-91	SMALL FIXED INDUCTOR(4.7UH,J)	
L401			L40-4795-91	SMALL FIXED INDUCTOR(4.7UH,J)	
L501			L33-1170-05	CHOKE COIL ASSY	
L601			L40-4795-34	SMALL FIXED INDUCTOR	
L601			L40-4795-68	SMALL FIXED INDUCTOR(4.7UH)	
X1			L78-0863-05	RESONATOR (12MHZ)	
X2			L77-2738-05	CRYSTAL RESONATOR	
E	2B		N83-3005-46	PAN HEAD TAPTITE SCREW	
J	2B		N80-3008-46	PAN HEAD TAPTITE SCREW	
K	2B		N83-3012-46	PAN HEAD TAPTITE SCREW	
L	2B		N86-2606-46	BINDING HEAD TAPTITE SCREW	
CP60			R90-0725-05	MULTI-COMP 1K X2	
R1			RK73EB2E102J	CHIP R 1.0K J 1/4W	
R2			RK73GB2A223J	CHIP R 22K J 1/10W	
R3			RK73EB2E102J	CHIP R 1.0K J 1/4W	
R4			RK73GB2A223J	CHIP R 22K J 1/10W	
R101			RK73GB2A471J	CHIP R 470 J 1/10W	
R102,103			RK73GB2A104J	CHIP R 100K J 1/10W	
R104			RK73GB2A471J	CHIP R 470 J 1/10W	
R105			RK73GB2A104J	CHIP R 100K J 1/10W	
R106			RK73GB2A222J	CHIP R 2.2K J 1/10W	
R107			RK73EB2E101J	CHIP R 100 J 1/4W	
R108-112			RK73EB2E472J	CHIP R 4.7K J 1/4W	
R113,114			RK73EB2E101J	CHIP R 100 J 1/4W	
R201-204			RK73FB2B223J	CHIP R 22K J 1/8W	K4
R205-216			RK73GB2A223J	CHIP R 22K J 1/10W	K4
R217-220			RK73FB2B361J	CHIP R 360 J 1/8W	
R221,222			RK73GB2A361J	CHIP R 360 J 1/10W	K4

K3 : KDC-419

K4 : KDC-X459

E : Europe K : North America M : Other Areas

 indicates safety critical components.

PARTS LIST

*New Parts

Parts without Part No. are not supplied.

Les articles non mentionnés dans le Parts No. ne sont pas fournis.

Teile ohne Parts No. werden nicht geliefert.

(X25-921x-xx)

Ref. No.	A d d	N e w	Parts No.	Description	Desti- nation	Ref. No.	A d d	N e w	Parts No.	Description	Desti- nation
R223-226			RK73FB2B223J	CHIP R 22K J 1/8W		R647			RK73GB2A103J	CHIP R 10K J 1/10W	
R227,228			RK73GB2A223J	CHIP R 22K J 1/10W	K4	R648			RK73GB2A473J	CHIP R 47K J 1/10W	
R229-232			RK73EB2E181J	CHIP R 180 J 1/4W	K3	R649,650			RK73GB2A102J	CHIP R 1.0K J 1/10W	
R229-234			RK73EB2E181J	CHIP R 180 J 1/4W	K4	R652			RK73GB2A104J	CHIP R 100K J 1/10W	
R235,236			RK73GB2A473J	CHIP R 47K J 1/10W	K4	R653			RK73GB2A102J	CHIP R 1.0K J 1/10W	
R237-240			RK73GB2A223J	CHIP R 22K J 1/10W		R654			RK73GB2A222J	CHIP R 2.2K J 1/10W	
R241,242			RK73EB2E100J	CHIP R 10 J 1/4W		R655			RK73GB2A225J	CHIP R 2.2M J 1/10W	
R243			RK73EB2E4R7J	CHIP R 4.7 J 1/4W		R656			RK73GB2A222J	CHIP R 2.2K J 1/10W	
R401			RK73GB2A103J	CHIP R 10K J 1/10W		R702			RK73GB2A101J	CHIP R 100 J 1/10W	
R402			RK73GB2A472J	CHIP R 4.7K J 1/10W		R703			RK73GB2A223J	CHIP R 22K J 1/10W	
R404,405			RK73GB2A472J	CHIP R 4.7K J 1/10W		R704			RK73GB2A222J	CHIP R 2.2K J 1/10W	
R406			RK73GB2A102J	CHIP R 1.0K J 1/10W	K4	R705			RK73GB2A103J	CHIP R 10K J 1/10W	
R407			RK73GB2A101J	CHIP R 100 J 1/10W		R706			RK73GB2A102J	CHIP R 1.0K J 1/10W	
R408,409			RK73GB2A103J	CHIP R 10K J 1/10W		R707,708			RD14DB2H2R2J	SMALL-RD 2.2 J 1/2W	
R410			RK73GB2A473J	CHIP R 47K J 1/10W		R709			RK73GB2A102J	CHIP R 1.0K J 1/10W	
R411			RK73GB2A152J	CHIP R 1.5K J 1/10W		R901			RK73GB2A473J	CHIP R 47K J 1/10W	
R412			RK73GB2A332J	CHIP R 3.3K J 1/10W		R902,903			RK73EB2E102J	CHIP R 1.0K J 1/4W	
R501			RK73FB2B243J	CHIP R 24K J 1/8W		R904			RK73EB2E472J	CHIP R 4.7K J 1/4W	
R502,503			RK73GB2A103J	CHIP R 10K J 1/10W		R905,906			RK73EB2E102J	CHIP R 1.0K J 1/4W	
R504			RK73GB2A223J	CHIP R 22K J 1/10W		R907			RK73EB2E471J	CHIP R 470 J 1/4W	
R505			RD14DB2H332J	SMALL-RD 3.3K J 1/2W		R908,909			RK73EB2E102J	CHIP R 1.0K J 1/4W	
R507			RK73GB2A223J	CHIP R 22K J 1/10W		R910			RK73EB2E101J	CHIP R 100 J 1/4W	
R508			RK73GB2A104J	CHIP R 100K J 1/10W		R911,912			RK73EB2E471J	CHIP R 470 J 1/4W	
R510,511			RD14DB2H102J	SMALL-RD 1.0K J 1/2W		R913			RK73FB2B241J	CHIP R 240 J 1/8W	
R512			RK73FB2B223J	CHIP R 22K J 1/8W		R914			RK73EB2E241J	CHIP R 240 J 1/4W	
R514			RD14DB2H102J	SMALL-RD 1.0K J 1/2W		S1			S74-0811-05	MICRO SWITCH	
R516			RD14DB2H102J	SMALL-RD 1.0K J 1/2W		D1			IMSA-6801	SURGE ABSORBER	
R522			RK73EB2E103J	CHIP R 10K J 1/4W		D100-103			HZS6C1	ZENER DIODE	
R523			RK73GB2A104J	CHIP R 100K J 1/10W		D100-103			MA4062-L	ZENER DIODE	
R601			RK73GB2A104J	CHIP R 100K J 1/10W		D201-205			MA4068(N)-M	ZENER DIODE	
R602			RK73GB2A473J	CHIP R 47K J 1/10W		D207-214			AM01Z	DIODE	
R603			RK73GB2A102J	CHIP R 1.0K J 1/10W		D401			MTZJ4.3(B)	ZENER DIODE	K4
R604,605			RK73GB2A104J	CHIP R 100K J 1/10W		D402-405			1SS133	DIODE	K4
R607			RK73GB2A104J	CHIP R 100K J 1/10W		D402,403			1SS133	DIODE	K3
R608			RK73GB2A471J	CHIP R 470 J 1/10W		D406			DAP202U	DIODE	
R609,610			RK73GB2A222J	CHIP R 2.2K J 1/10W		D408			1SS133	DIODE	
R613,614			RK73GB2A222J	CHIP R 2.2K J 1/10W		D501			1N5393G-M5	DIODE	
R615			RK73GB2A104J	CHIP R 100K J 1/10W		D502,503			MA4068(N)-M	ZENER DIODE	
R616			RK73GB2A102J	CHIP R 1.0K J 1/10W		D504,505			AM01Z	DIODE	
R618			RK73GB2A104J	CHIP R 100K J 1/10W	K3	D507			AM01Z	DIODE	
R618,619			RK73GB2A104J	CHIP R 100K J 1/10W	K4	D508			1SS133	DIODE	
R620			RK73GB2A104J	CHIP R 100K J 1/10W	K3	D601			1SS133	DIODE	
R622			RK73GB2A104J	CHIP R 100K J 1/10W		D701			AM01Z	DIODE	
R624,625			RK73GB2A104J	CHIP R 100K J 1/10W		D702			MA4056(N)-M	ZENER DIODE	
R626			RK73GB2A474J	CHIP R 470K J 1/10W		D703			MA4091(N)-L	ZENER DIODE	
R627,628			RK73GB2A471J	CHIP R 470 J 1/10W		D704			MA4082(N)-L	ZENER DIODE	
R629			RK73GB2A102J	CHIP R 1.0K J 1/10W		D901			HZS11B2	ZENER DIODE	
R630-633			RK73GB2A471J	CHIP R 470 J 1/10W		D901			MA4110-L	ZENER DIODE	
R634,635			RK73GB2A472J	CHIP R 4.7K J 1/10W		D902-906			DAN202U	DIODE	
R636			RK73GB2A101J	CHIP R 100 J 1/10W		D907-911			DAP202U	DIODE	
R637-640			RK73GB2A102J	CHIP R 1.0K J 1/10W		D913			MA3062	ZENER DIODE	
R641			RK73GB2A222J	CHIP R 2.2K J 1/10W		IC1		*	UPD784225GC156	MI-COM IC	
R643			RK73GB2A104J	CHIP R 100K J 1/10W		IC2			TDA7407D	ANALOGUE IC	
R644			RK73GB2A103J	CHIP R 10K J 1/10W		IC3			HD74HC02FP	MOS-IC	
R645,646			RK73GB2A104J	CHIP R 100K J 1/10W							

K3 : KDC-419

K4 : KDC-X459

E : Europe K : North America M : Other Areas

⚠ indicates safety critical components.

PARTS LIST

*New Parts

Parts without **Part No.** are not supplied.

Les articles non mentionnés dans le **Part No.** ne sont pas fournis.

Teile ohne **Part No.** werden nicht geliefert.

(X25-921x-xx)

Ref. No.	A d d	N e w	Parts No.	Description	Desti- nation	Ref. No.	A d d	N e w	Parts No.	Description	Desti- nation
IC3			TC74HC02AF	MOS-IC		Q902			KRA303	DIGITAL TRANSISTOR	
IC4			TA8273H	ANALOGUE IC		Q903			2SD1760	TRANSISTOR	
IC5			NJM2123V-TE2	ANALOGUE IC	K4	Q905-907			DTA114YUA	DIGITAL TRANSISTOR	
IC8			S-80830ANNP	MOS-IC		Q905-907			KRA307	DIGITAL TRANSISTOR	
IC9			BR24C01AF-W	IC(MEMORY IC)	K3	TH1			PTH9C42BD471Q	POSITIVE RESISTOR	
IC9			BR24C02F-W	IC(E2PROM)	K4	A1	2B		X86-3240-11	TUNER UNIT	
Q1			DTC124EUA	DIGITAL TRANSISTOR		DAUGHTER UNIT (X89-2510-10)					
Q1			UN5212	DIGITAL TRANSISTOR		CN1			E41-0169-05	SOCKET FOR PIN ASSY	
Q2			2SB1277(Q,R)	TRANSISTOR		J1			E58-0865-05	RECTANGULAR RECEPTACLE	
Q2			2SB1434	TRANSISTOR		S1			S70-0877-05	TACT SWITCH	
Q3			DTC124EUA	DIGITAL TRANSISTOR							
Q3			UN5212	DIGITAL TRANSISTOR							
Q4			2SB1277(Q,R)	TRANSISTOR							
Q4			2SB1434	TRANSISTOR							
Q201-204			DTC143TUA	DIGITAL TRANSISTOR							
Q205,206			2SD2114K	TRANSISTOR	K4						
Q401			DTC124EUA	DIGITAL TRANSISTOR							
Q401			UN5212	DIGITAL TRANSISTOR							
Q402			DTC143TUA	DIGITAL TRANSISTOR							
Q403			DTA124EUA	DIGITAL TRANSISTOR	K3						
Q403			KRA303	DIGITAL TRANSISTOR	K3						
Q403,404			DTA124EUA	DIGITAL TRANSISTOR	K4						
Q403,404			KRA303	DIGITAL TRANSISTOR	K4						
Q501,502			2SC4081	TRANSISTOR							
Q501,502			2SD1819A	TRANSISTOR							
Q503			2SB1277(Q,R)	TRANSISTOR							
Q503			2SB1434	TRANSISTOR							
Q504			DTC114YUA	DIGITAL TRANSISTOR							
Q504			UN5214	DIGITAL TRANSISTOR							
Q505			2SB1277(Q,R)	TRANSISTOR							
Q505			2SB1434	TRANSISTOR							
Q506			2SA1576A	TRANSISTOR							
Q506			2SB1218A	TRANSISTOR							
Q507			DTA124EUA	DIGITAL TRANSISTOR							
Q507			KRA303	DIGITAL TRANSISTOR							
Q508			DTC114YUA	DIGITAL TRANSISTOR							
Q508			UN5214	DIGITAL TRANSISTOR							
Q510			DTC144EUA	DIGITAL TRANSISTOR							
Q510			UN5213	DIGITAL TRANSISTOR							
Q701			2SA2057	TRANSISTOR							
Q702			2SC4081	TRANSISTOR							
Q702			2SD1819A	TRANSISTOR							
Q703			2SA1576A	TRANSISTOR							
Q703			2SB1218A	TRANSISTOR							
Q704			DTC124EUA	DIGITAL TRANSISTOR							
Q704			UN5212	DIGITAL TRANSISTOR							
Q705			DTA124EUA	DIGITAL TRANSISTOR							
Q705			KRA303	DIGITAL TRANSISTOR							
Q706			2SA2057	TRANSISTOR							
Q707			2SC4081	TRANSISTOR							
Q707			2SD1819A	TRANSISTOR							
Q708			2SD2375	TRANSISTOR							
Q901			DTC124EUA	DIGITAL TRANSISTOR							
Q901			UN5212	DIGITAL TRANSISTOR							
Q902			DTA124EUA	DIGITAL TRANSISTOR							


K3 : KDC-419

K4 : KDC-X459

E : Europe

K : North America

M : Other Areas

 indicates safety critical components.

KDC-419/X459

SPECIFICATIONS

FM	Frequency Range (Frequency Step)	87.9MHz - 107.9MHz (200KHz)
	Channel Space Selection	50KHz / 200KHz
	Usable Sensitivity (S/N 30dB)	9.3dBf (0.8 μ V / 75 Ω)
	Quieting Sensitivity (S/N 50dB)	15.2dBf (1.6 μ V / 75 Ω)
	Frequency Response (\pm 3.0dB)	30Hz - 15KHz
	S/N	70dB (MONO)
	Selectivity (DIN)	\geq 80dB (\pm 400KHz)
	Stereo Separation	40dB (1KHz)
AM	Frequency Range (Frequency Step)	530KHz - 1700KHz (10KHz)
	Channel Space Selection	9KHz / 10KHz
	Usable Sensitivity (S/N 20dB)	28dB μ (25 μ V)
CD	Laser Diode	GaAlAs (λ =780nm)
	Digital Filter (D/A)	8 Times Over Sampling
	D/A Converter	1 Bit
	Spindle Speed	500rpm - 200rpm (CLV)
	Wow & Flutter	Below Mesurable Limit
	Frequency Response	10Hz - 20KHz (\pm 1dB)
	Total Harmonic Distortion	0.01% (1KHz)
	S/N Ratio	93dB (1KHz)
	Dinamic Range	93dB
	Channel Separation	85dB
Preout Level / Load		1800mV / 10K Ω
Preout Impedance		\leq 600 Ω
AMPLIFIER	Maximum Power	50W x4
	Full Bandwidth Power	22W x4
TONE	Bass	100Hz \pm 10dB
	Middle	1KHz \pm 10dB
	Treble	10KHz \pm 10dB
GENERAL	Operating Voltage (11V-16V allowable)	14.4V
	Current Consumption	10A
	Installation Size (Width)	182mm
	(Height)	53mm
	(Depth)	155mm
Weight		1.25Kg

KENWOOD follows a policy of continuous advancements in development. For this reason specifications may be changed without notice.

KENWOOD CORPORATION

14-6, Dogenzaka 1-chome, Shibuya-ku, Tokyo, 150-8501 Japan

KENWOOD SERVICE CORPORATION

P.O. Box 22745, 2201 East Dominguez Street, Long Beach, CA90801-5745, U.S.A.

KENWOOD ELECTRONICS CANADA INC.

6070 Kestrel Road, Mississauga, Ontario, Canada L5T 1S8

KENWOOD ELECTRONICS LATIN AMERICA S.A.

P.O. Box 55-2791 Paitilla, Plaza Credicorp Bank Panama, Piso 9, Oficina 901, Calle 50, Panama, Republic of Panama

KENWOOD ELECTRONICS BRASIL LTDA.

Alameda Ministro Rocha Azevedo No. 456, Edificio Jaú, 10o Andar, Cerqueira César, Cep 0140-001, São Paulo-SP-Brasil

KENWOOD ELECTRONICS UK LIMITED

Kenwood House, Dwight Road, Watford, Herts, WD1 8EB, United Kingdom

KENWOOD ELECTRONICS DEUTSCHLAND GMBH

Rembrücker Str. 15, 63150 Heusenstamm, Germany

KENWOOD ELECTRONICS FRANCE S.A.

13, Boulevard Ney, 75018 Paris, France

KENWOOD ELECTRONICS BELGIUM N.V.

Leuvensesteenweg 248 J, 1800 Vilvoorde, Belgium

KENWOOD ELECTRONICS ITALIA S.p.A.

Via G. Sirtori 7/9, 20129 Milano, Italy

KENWOOD IBÉRICA S.A.

Bolivia, 239-08020 Barcelona, Spain

KENWOOD ELECTRONICS AUSTRALIA PTY. LTD.

(A.C.N. 001 499 074)
16 Giffnock Avenue, Centrecourt Estate, North Ryde, N.S.W. 2113, Australia

KENWOOD ELECTRONICS (HONG KONG) LTD.

Unit 3712-3724, Level 37, Tower 1, Metroplaza, 223 Hing Fong Road, Kwai Fong, N.T., Hong Kong

KENWOOD ELECTRONICS GULF FZE

P.O.Box 61318, Jebel Ali, Dubai, U.A.E.

KENWOOD ELECTRONICS (THAILAND) CO., LTD.

2019 New Pechburi Road, Bangkok, Huaykwang, Bangkok, 10320 Thailand

KENWOOD ELECTRONICS SINGAPORE PTE LTD.

1 Genting Lane, #07-00, Kenwood Building, Singapore 349544

KENWOOD ELECTRONICS (MALAYSIA) SDN BHD

#4.01 Level 4, Wisma Academy Lot 4A, Jalan 19/1, 46300 Petaling Jaya, Selangor Darul Ehsan, Malaysia